

# Edit L Single Lever Tall Basin Mixer

## ILLUSTRATED

**A1349** Edit L Rim mounted single lever tall basin mixer - no waste

### ILLUSTRATED PRODUCT DETAILS

#### Weights

**A1349** 1.74 KG

#### Materials

**A1349** Chrome Plated Metal

#### Finishes

**A1349**  Chrome finish (AA)

#### Flow rates

**A1349** 5 Litres per minute @ 3 bar pressure

#### Designer

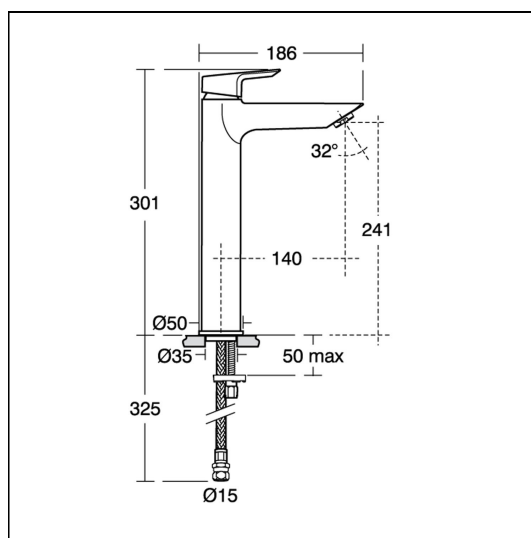
Artefakt Industriekultur

#### Standards

BS EN817

#### Special Notes

Suitable for balanced supplies. Inlets with flexible hoses. Factory fitted 5 lpm flow regulator. Consideration should be given to safe hot water delivery and the use of an appropriate temperature reduction device such as A5900AA. Unregulated flow rate 4.7 litres per minute at 0.3 bar.



### ACCREDITATIONS



### FEATURES

