

Sensorflow 21 Electronic Concealed Shower Valve & Sensor, Link

ILLUSTRATED

A4186 Sensorflow 21 Electronic concealed shower valve and sensor, link box

ILLUSTRATED PRODUCT DETAILS

Weights

A4186 1.60 KG

Finishes

A4186  Chrome (AA)

Materials

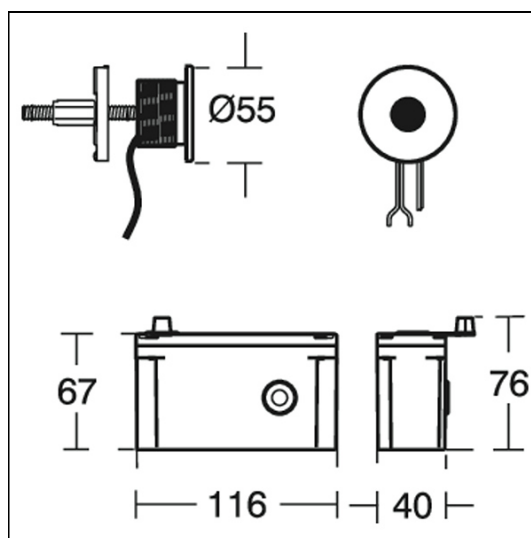
A4186 Chrome Plated Brass

Flow rates

A4186 4.7 Litres per minute @ 3 bar pressure

Special Notes

Designed to be supplied with pre-mixed water.
 Consideration should be given to safe hot water delivery and the use of an appropriate temperature reduction device, please see A5900AA (for use with 15mm pipework) or A5901AA (for use with 22mm pipework).
 A4185AA mains sensor can have up to 5 multi-box sensors linked.
 Minimum operating pressure 0.5 bar.



FEATURES

