

# Sensorflow 21 Compact Washbasin Spout Integral Sensor, Battery

## ILLUSTRATED

**A4851** Sensorflow 21 compact washbasin mounted spout integral sensor servicing valve and filter, copper tube inlets, battery

### ILLUSTRATED PRODUCT DETAILS

#### Weights

**A4851** 1.55 KG

#### Finishes

**A4851**  Chrome (AA)

#### Materials

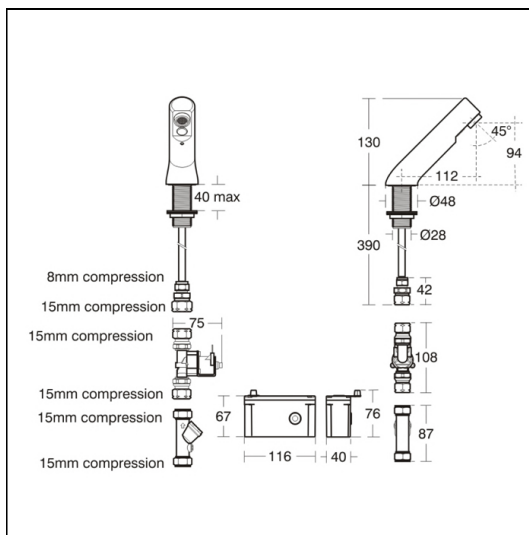
**A4851** Chrome Plated Brass

#### Flow rates

**A4851** 4.7 Litres per minute @ 3 bar pressure

#### Special Notes

All spouts supplied complete with individual solenoid valve, copper tube inlet and combined servicing valve and filter. Consideration should be given to safe hot water delivery and the use of an appropriate temperature reduction device see A5900. Spouts with integral sensors detect hands within the sensing range and the solenoid valve is opened. Automatically shuts off if sensor is obstructed for a maximum of 50 seconds. Stand alone battery powered unit.



### ACCREDITATIONS

**A4851(AA)**

Unified Water Label  **4.70** Litres Per Minute



### FEATURES

