

# Sensorflow 21 Compact Washbasin Spout Integral Sensor, Mains

## ILLUSTRATED

**A4852** Sensorflow 21 compact washbasin mounted spout with integral sensor, 3.7 litre per minute aerated spray outlet, combined inlet servicing valve and filter, mains

## ILLUSTRATED PRODUCT DETAILS

### Weights

**A4852** 1.60 KG

### Finishes

**A4852**  Chrome (AA)

### Materials

**A4852** Chrome Plated Brass

### Flow rates

**A4852** 3.7 Litres per minute @ 3 bar pressure

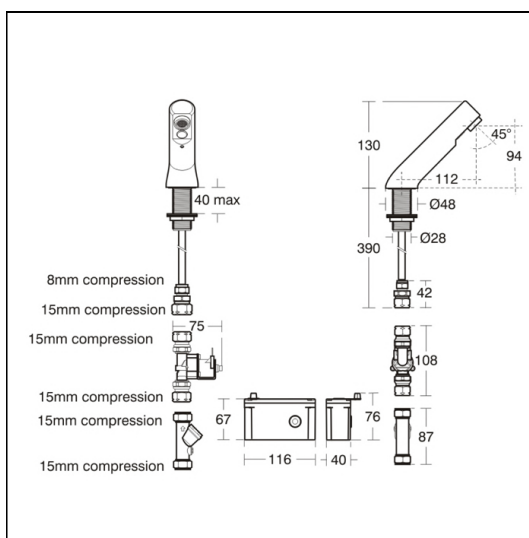
## FINISH OPTIONS



### Special Notes

All spouts supplied with individual solenoid valve and combined servicing valve including filter. Consideration should be given to safe hot water delivery and the use of an appropriate temperature reduction device, please see A5900AA (for use with 15mm pipework) or A5901AA (for use with 22mm pipework). Spouts with integral sensors detect hands within the sensing range and the solenoid valve is opened. Automatically shuts off if sensor is obstructed for a maximum of 50 seconds. Flow rate 3.7 litres per minute with fitted flow regulator.

Mains powered Sensorflow products must be connected to a continuous permanent power supply of these require 220-240 volts and each 1 having its own fuse spur.



## ACCREDITATIONS

**A4852(AA)**



## FEATURES

