

CTV Built-in Shower Pack With Extended Lever

ILLUSTRATED

A5784 CTV EL built-in concentric thermostatic mixer with extended lever & Idealrain M3 shower kit

ILLUSTRATED PRODUCT DETAILS

Weights

A5784 5.17 KG

Materials

A5784 Chrome Plated Brass

Finishes

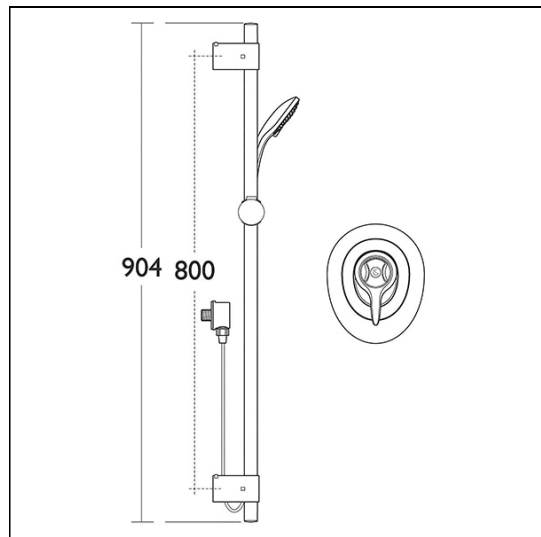
A5784  Chrome (AA)

Flow rates

A5784 8 Litres per minute @ 3 bar pressure

Special Notes

Removable 8 litre per minute eco flow regulator. Flow rate 5 litres per minute @ 0.1 bar. Pack includes shower mixer A3085AA.



FEATURES

