

Thermostatic Mixing Valve (TMV) 15mm

ILLUSTRATED

A5900 TMV thermostatic mixing valve, 15mm

ILLUSTRATED PRODUCT DETAILS

Weights

A5900 0.50 KG

Finishes

A5900  Chrome (AA)

Materials

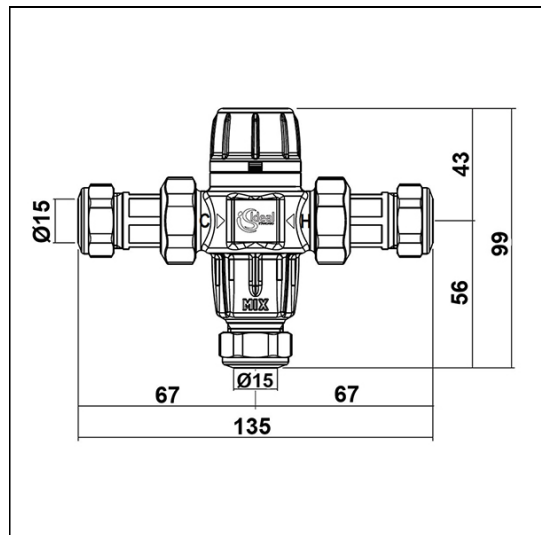
A5900 Chrome Plated Metal

Standards

TMV3 meets the requirements of the NHS Model Engineering Specification-D08 Valves. TMV 2 meets BS EN 1111 & BS EN 1287.

Special Notes

Operating pressures from 0.2 to 5.0 bar, 10 bar static pressure.
Recommended supply temperatures, Hot 52°C-65°C, Cold 5°C-20°C. For best results both supplies should be at equal pressures.



ACCREDITATIONS



2307357



FEATURES

