

# Sensorflow Wave basin mixer 1 hole with temperature control (battery)

## ILLUSTRATED

**A6162** Sensorflow Wave Basin mixer 1 hole with temperature control (battery)

## OPTIONS

**F960970** Remote Control Programmer

## ILLUSTRATED PRODUCT DETAILS

### Weights

**A6162** 2.50 KG

### Finishes

**A6162**  Chrome (AA)

### Materials

**A6162** Chrome Plated Metal

### Flow rates

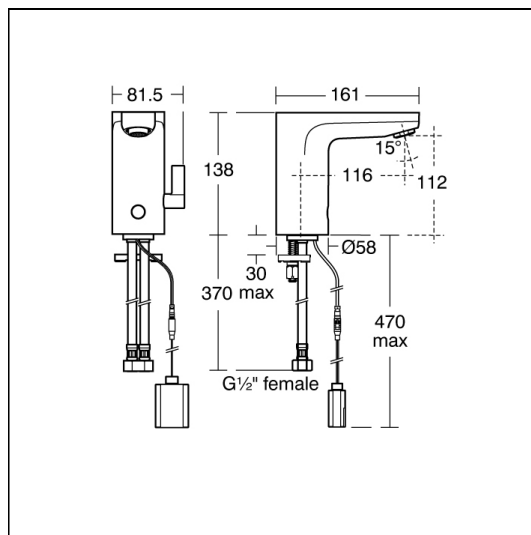
**A6162** 3.8 Litres per minute @ 3 bar pressure

### Designer

Artefakt Industriekultur

### Special Notes

Run time adjustable up to 4mins. Inlets with flexible tails. Includes isolating valves with strainers, check valves and connection for 15mm copper tube. Fitted with a 3.8 lpm Eco aerated flow regulator. When installed in commercial applications a thermostatic blending valve such as A5900AA should be used.



## ACCREDITATIONS

**A6162(AA)**

Unified Water Label  3.80 Litres Per Minute

## FEATURES

