

# Tesi Single Lever Built-In Basin Mixer

## ILLUSTRATED

**A6578** Tesi single lever built in basin mixer kit 2, built in, requires kit 1 A5948NU

**A5948** Built-in basin mixer kit 1, horizontal

## ILLUSTRATED PRODUCT DETAILS

### Weights

**A6578** 1.36 KG

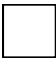
**A5948** 1.26 KG

### Materials

**A6578** Chrome Plated Metal

### Finishes

**A6578**  Chrome (AA)

**A5948**  Unfinished (NU)

### Flow rates

**A6578** 5 Litres per minute @ 3 bar pressure

### Designer

Artefakt Industriekultur

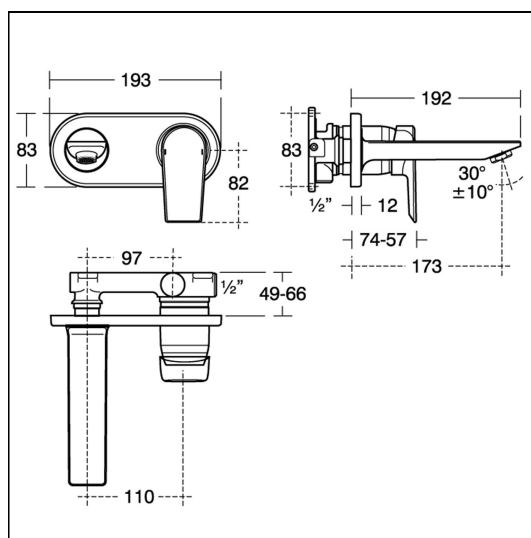
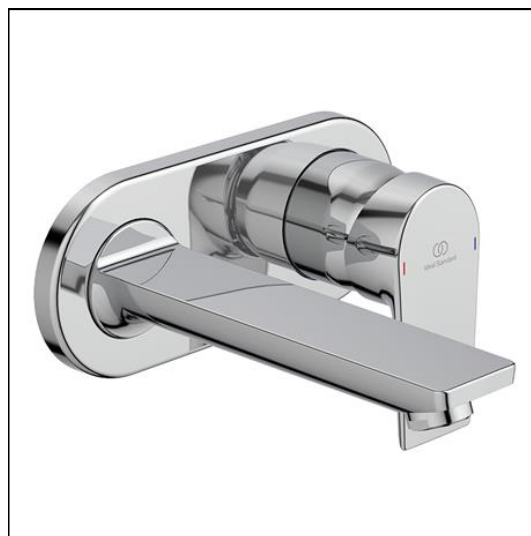
### Standards

BS EN817

### Special Notes

Suitable for balanced supplies. Inlets with flexible hoses and 15mm compression connections. Factory fitted 5 litre per minute flow regulator. Flow rate 4.7 litres per minute at 1 Bar with regulator fitted.

Consideration should be given to safe hot water delivery and the use of an appropriate temperature reduction device, please see A5900AA (for use with 15mm pipework) or A5901AA (for use with 22mm pipework).



## ACCREDITATIONS



## FEATURES

