

Tesi 2 Hole Dual Control Bath Filler

ILLUSTRATED

A6590 Tesi 2 hole dual control bath filler

ILLUSTRATED PRODUCT DETAILS

Weights

A6590 2.33 KG

Finishes

A6590  Chrome (AA)

Materials

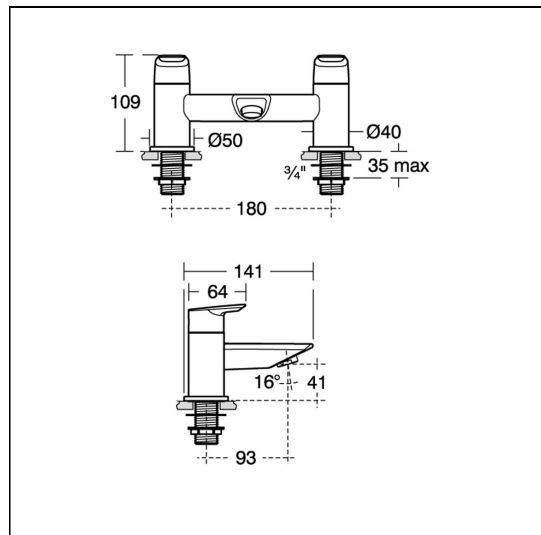
A6590 Chrome Plated Metal

Standards

BS EN200

Special Notes

Unregulated flow rate 21 litres per minute at 0.2 bar and 42 litres per minute at 3 bar. Consideration should be given to safe hot water delivery and the use of an appropriate temperature reduction device, please see A5900AA (for use with 15mm pipework) or A5901AA (for use with 22mm pipework).



ACCREDITATIONS