

# Tesi Single Lever Basin Mixer, with Pop-Up Waste

## ILLUSTRATED

**A6592** Tesi single lever basin mixer with pop-up waste and 5 litre per minute eco flow regulator

## OPTIONS

**A5900** TMV thermostatic mixing valve, 15mm

## ILLUSTRATED PRODUCT DETAILS

### Weights

**A6592** 1.71 KG

### Finishes

**A6592**  Chrome (AA)

### Materials

**A6592** Chrome Plated Metal

### Flow rates

**A6592** 5 Litres per minute @ 3 bar pressure

### Designer

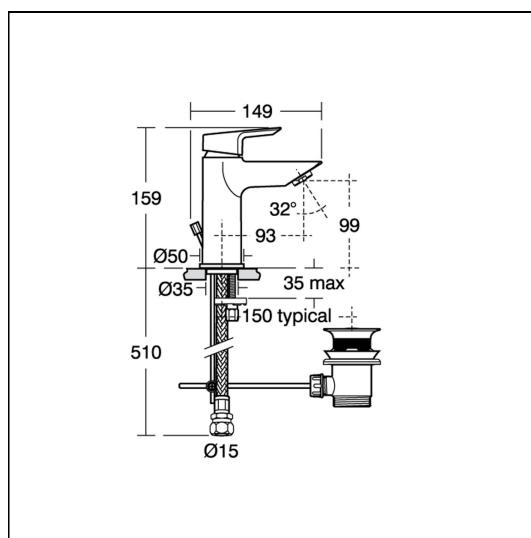
Artefakt Industriekultur

### Standards

BS EN817

### Special Notes

Suitable for balanced supplies. Inlets with flexible hoses and 15mm compression connections. Factory fitted 5 litre per minute flow regulator. Consideration should be given to safe hot water delivery and the use of an appropriate temperature reduction device, please see A5900AA (for use with 15mm pipework) or A5901AA (for use with 22mm pipework).



## ACCREDITATIONS

## FEATURES

