

# Markwik 21+ 1 Hole Thermostatic Basin Mixer

## ILLUSTRATED

**A6696** (TP6) Markwik 21+ 1 hole thermostatic basin mixer, single sequential lever, demountable with copper tails

## OPTIONS

**A6791** Markwik 21+ deck mounted basin mixer fixing kit (patented design) for use with 1 taphole Contour 21+ back outlet washbasins

**EW144** M10 Stainless steel inlet tails - pair

**EW145** M10 Stainless steel inlet tails - 5 pairs

## ILLUSTRATED PRODUCT DETAILS

### Weights

**A6696** 2.50 KG

### Finishes

**A6696**  Chrome (AA)

### Materials

**A6696** Chrome Plated Brass

### Flow rates

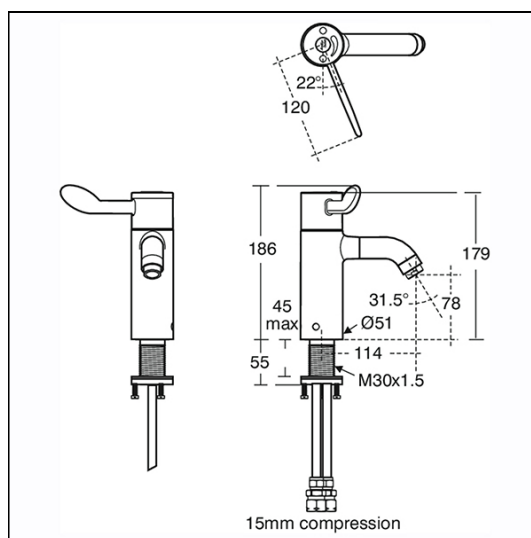
**A6696** 7.9 Litres per minute @ 3 bar pressure

### Standards

HTM 04-01 supplement D08, HBN 00-10

### Special Notes

Minimum 0.6 bar pressure, regulated flow to a maximum of 10 litres per minute. During demounting, integral safety valves will shut off water as a fail safe in case incoming water supplies have not been isolated. Integral isolating valves, strainers, check valves and flow regulators are all accessible from above the basin when the tap is demounted.



## ACCREDITATIONS



240602054

## FEATURES

