

Contour 21+ 1 Hole Thermostatic Basin Mixer with Copper Tails

ILLUSTRATED

A6697 Contour 21+ 1 hole thermostatic basin mixer, single sequential lever with copper tails

OPTIONS

- EW144** M10 Stainless steel inlet tails - pair
- EW145** M10 Stainless steel inlet tails - 5 pairs

ILLUSTRATED PRODUCT DETAILS

Weights

A6697 2.10 KG

Finishes

A6697  Chrome (AA)

Materials

A6697 Chrome Plated Brass

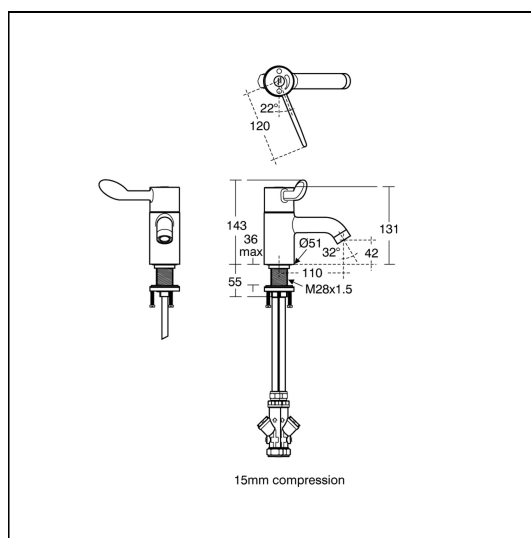
Flow rates

A6697 3.9 Litres per minute @ 3 bar pressure

Special Notes

Single sequential lever for on/off operation and temperature control. Supplied with 10mm copper tubes, service valves which include isolators, strainers, check valves, flow regulators and 15mm compression connections. Temperature factory set to 40±1°C.

Product will work on low pressure providing the flow regulator is removed and replaced using a flow guide (A960191NU). Factory fitted 3.8 litre per minute flow regulator in an anti-vandal housing. 1.9 litre per minute eco spray outlet also supplied. Both require 1 bar minimum pressure. Clamping ring with three fixing screws for a secure fix to the basin which will not come loose if installed correctly.



ACCREDITATIONS



FEATURES

