

Contour 21+ 1 Hole Thermostatic Basin Mixer with Flexible Tails

ILLUSTRATED

A6698 Contour 21+ 1 hole thermostatic basin mixer, single sequential lever with flexible tails

ILLUSTRATED PRODUCT DETAILS

Weights

A6698 2.10 KG

Finishes

A6698  Chrome (AA)

Materials

A6698 Chrome Plated Brass

Flow rates

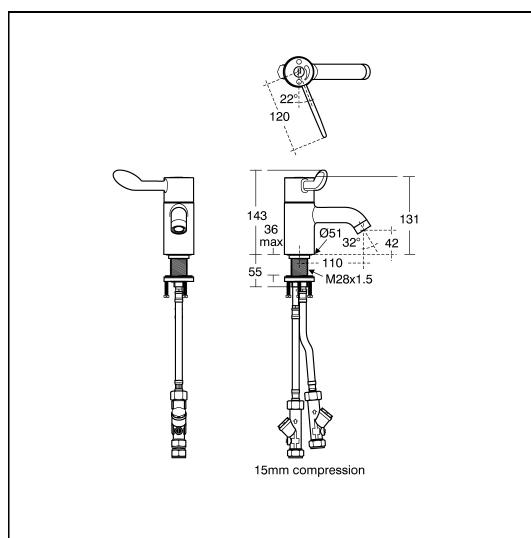
A6698 3.9 Litres per minute @ 3 bar pressure

Special Notes

Single sequential lever for on/off operation and temperature control. Supplied with service valves which include isolators, strainers, check valves, flow regulators and 15mm compression connections. Temperature factory set to 40±1°C.

Product will work on low pressure providing the flow regulator is removed and replaced using a flow guide (A960191NU). Factory fitted 3.8 litre per minute flow regulator in an anti-vandal housing. 1.9 litre per minute eco spray outlet also supplied.

Both require 1 bar minimum pressure. Clamping ring with three fixing screws for securefix to the basin which will not come loose if correctly installed.



FEATURES

