

Markwik 21+ 2 Hole Thermostatic Basin Mixer

ILLUSTRATED

A6734 Markwik 21+ 2 hole thermostatic basin mixer, single sequential lever, demountable

OPTIONS

A6898 Markwik 21+ purging kit for 2 hole thermostatic mixers

ILLUSTRATED PRODUCT DETAILS

Weights

A6734 4.00 KG

Finishes

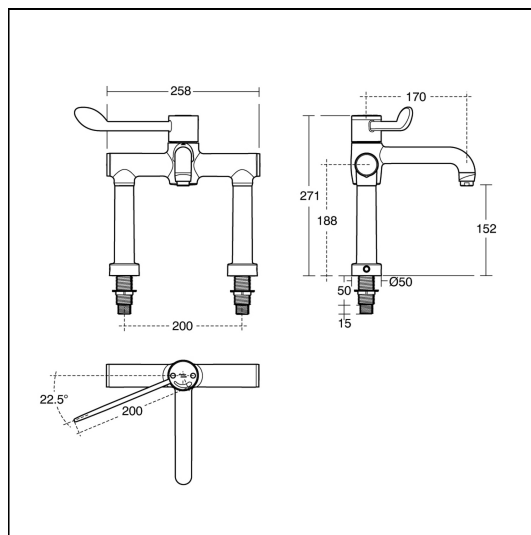
A6734  Chrome (AA)

Materials

A6734 Chrome Plated Brass

Special Notes

Minimum 0.6 bar pressure, regulated flow to a maximum of 10 litres per minute. A separate purging kit is available to facilitate installation flushing and water sampling.



ACCREDITATIONS

FEATURES

