

Contour 21+ Single Lever One Hole Tall Basin Mixer, No Waste

ILLUSTRATED

A6875 Contour 21+ single lever 1 hole tall basin mixer, no waste, flexible tails

ILLUSTRATED PRODUCT DETAILS

Weights

A6875 2.26 KG

Materials

A6875 Chrome Plated Brass

Finishes

A6875  Chrome (AA)

Flow rates

A6875 5 Litres per minute @ 3 bar pressure

Designer

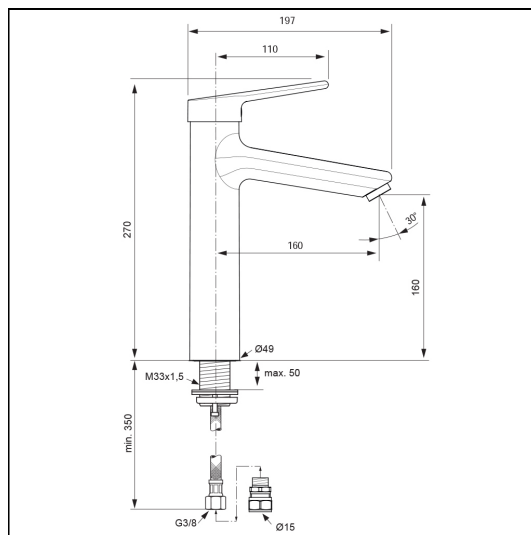
Artefakt Industriekultur

Standards

Manufactured in accordance to BS EN 817

Special Notes

Suitable for balanced supplies. Inlets 15mm copper tails. Consideration should be given to safe hot water delivery and the use of an appropriate temperature reduction device, please see A5900AA (for use with 15mm pipework) or A5901AA (for use with 22mm pipework). Fitted with 5 litres per minute laminar flow regulator. Minimum pressure 1 bar.



FEATURES

