

Sensorflow 21 Urinal Flush Sensor, High Pressure Valve, Panel Mounted, Mains

ILLUSTRATED

A7001 Sensorflow 21 urinal flush, high pressure valve, panel mounted, mains

ILLUSTRATED PRODUCT DETAILS

Weights

A7001 1.51 KG

Finishes

A7001  Chrome (AA)

Materials

A7001 Chrome Plated Brass

FINISH OPTIONS

 (AA) Chrome

 (GN) Ultra Steel

Special Notes

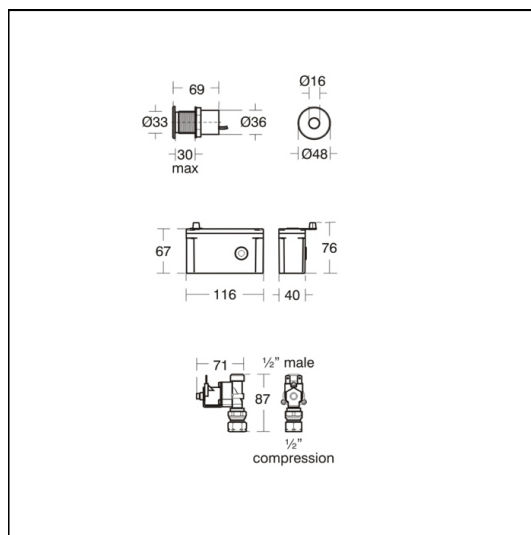
Check Local requirements for back flow prevention.

Suitable for water systems from 0.5bar to 6bar.

Includes 30 l/min regulator to prevent flooding. Should be removed on flow pressure between 0.5bar and 1bar.

Default 4sec run time, adjustment at installation.

Ensures full coverage without exceeding 1.5 litres per activation.
Mains powered Sensorflow products must be connected to a continuous permanent power supply of these require 220-240 volts and each 1 having its own fuse spur.



ACCREDITATIONS

FEATURES

