

Sensorflow 21 Urinal Flush Sensor, High Pressure Valve, Panel Mounted, Link

ILLUSTRATED

A7002 Sensorflow 21 urinal flush, high pressure valve, panel mounted, link

ILLUSTRATED PRODUCT DETAILS

Weights

A7002 1.00 KG

Finishes

A7002  Chrome (AA)

Materials

A7002 Chrome Plated Brass

Special Notes

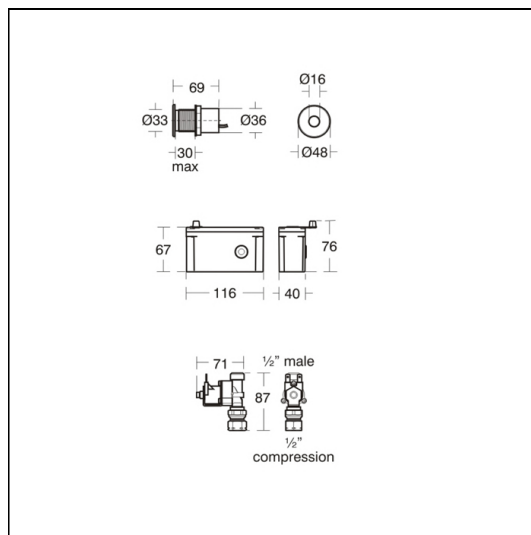
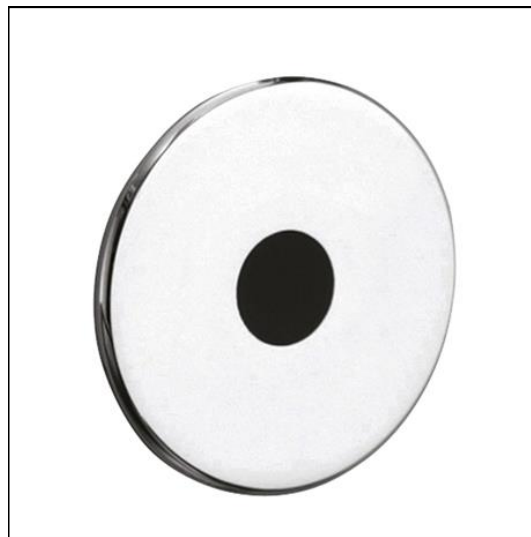
Check Local requirements for back flow prevention.

Suitable for water systems from 0.5bar to 6bar.

Includes 30 l/min regulator to prevent flooding. Should be removed on flow pressure between 0.5bar and 1bar.

Default 4sec run time, adjustment at installation.

Ensures full coverage without exceeding 1.5 litres per activation.



ACCREDITATIONS

FEATURES

