

# Edge Single Lever Wall Mounted Basin Mixer

## ILLUSTRATED

- A7116** Edge single lever wall mounted basin mixer
- A5948** Built-in basin mixer kit 1, horizontal

## OPTIONS

- A5900** TMV thermostatic mixing valve, 15mm

## ILLUSTRATED PRODUCT DETAILS



### Weights

- A7116** 1.50 KG
- A5948** 1.26 KG

### Materials

- A7116** Chrome Plated Brass

### Finishes

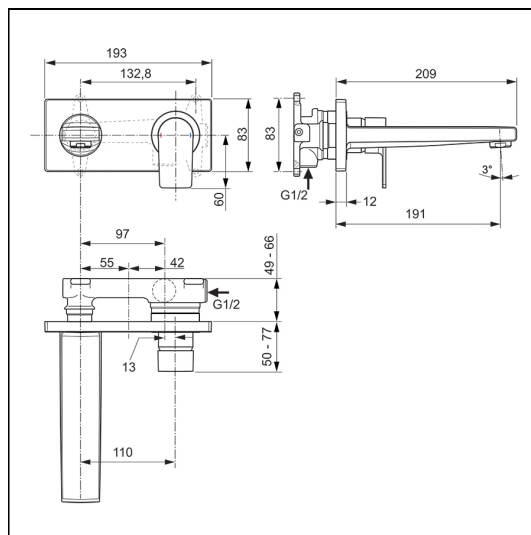
- A7116**  Chrome (AA)
- A5948**  Unfinished (NU)

### Flow rates

- A7116** 5 Litres per minute @ 3 bar pressure

### Special Notes

Suitable for balanced supplies. Inlets with flexible tails and connections for 15mm copper tubes. Fitted with a 5 litre per minute outlet flow regulator. When installed in commercial applications a thermostatic blending valve such as A5900AA must be used. Unregulated flow rate 3.5 litres per minute at 0.5 bar.



## FEATURES

