

Ceratherm T100 Exposed Thermostatic Bath Shower Mixer

ILLUSTRATED

A7239 Ceratherm T100 exposed thermostatic bath shower mixer

ILLUSTRATED PRODUCT DETAILS

Weights

A7239 2.05 KG

Finishes

A7239  Chrome (AA)

Materials

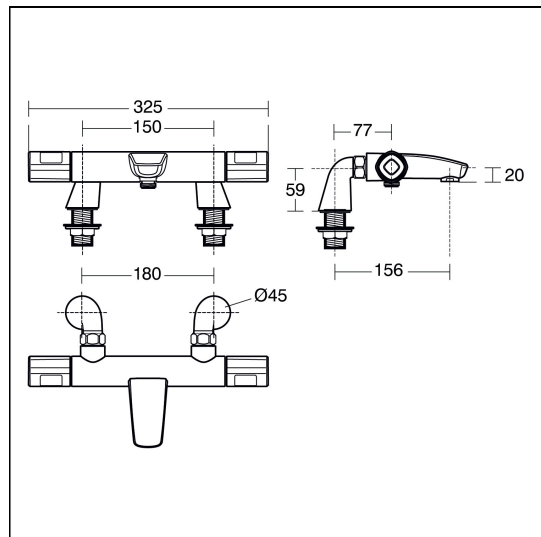
A7239 Chrome Plated Brass

Flow rates

A7239 20 Litres per minute @ 3 bar pressure

Special Notes

Unregulated flow rate 20 litres per minute at 3 bar.
Minimum operating pressure of 0.5 Bar



ACCREDITATIONS

FEATURES

