

Edge Single Lever Vessel Basin Mixer

ILLUSTRATED

A7577 Edge single lever vessel basin mixer

OPTIONS

A5900 TMV thermostatic mixing valve, 15mm

ILLUSTRATED PRODUCT DETAILS

Weights

A7577 1.90 KG

Finishes

A7577  Chrome (AA)

Materials

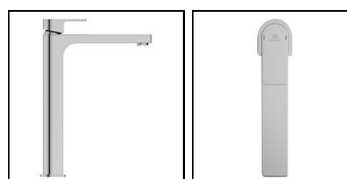
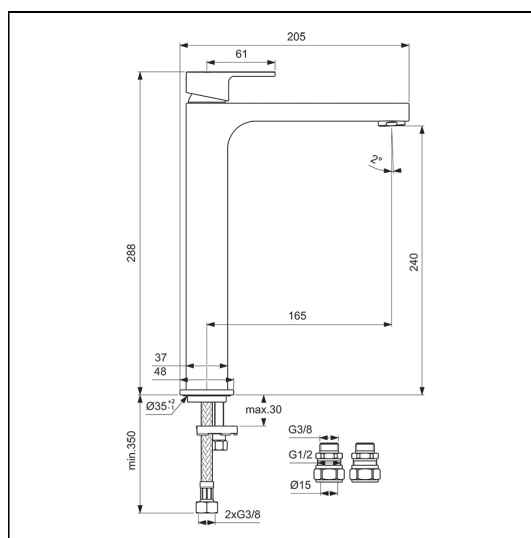
A7577 Chrome Plated Brass

Flow rates

A7577 5 Litres per minute @ 3 bar pressure

Special Notes

Suitable for balanced supplies. Inlets with flexible tails and connections for 15mm copper tubes. Fitted with a 5 litre per minute outlet flow regulator. When installed in commercial applications a thermostatic blending valve such as A5900AA must be used. Unregulated flow rate 3.5 litres per minute at 0.5 bar.



FEATURES

