

# Edge Single Lever High Spout Basin Mixer

## ILLUSTRATED

**A7578** Edge single lever high spout basin mixer

## OPTIONS

**A5900** TMV thermostatic mixing valve, 15mm

## ILLUSTRATED PRODUCT DETAILS

### Weights

**A7578** 2.50 KG

### Finishes

**A7578**  Chrome (AA)

### Materials

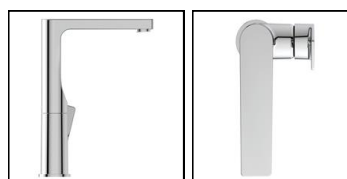
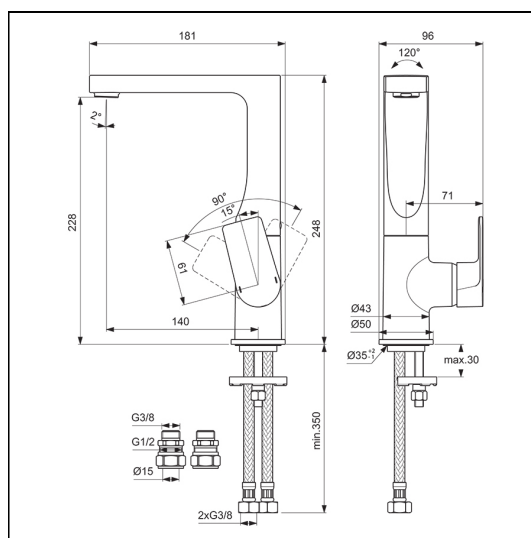
**A7578** Chrome Plated Brass

### Flow rates

**A7578** 5 Litres per minute @ 3 bar pressure

### Special Notes

Suitable for balanced supplies. Inlets with flexible tails and connections for 15mm copper tubes. Fitted with a 5 litre per minute outlet flow regulator. When installed in commercial applications a thermostatic blending valve such as A5900AA must be used. Unregulated flow rate 3.5 litres per minute at 0.5 bar.



## FEATURES

