

Markwik 21+ Shower Panel With Thermostatic Valve 1700mm

ILLUSTRATED

A7934 Markwik 21+ pre-plumbed shower panel with sequential thermostatic lever operated built in shower valve 1700mm

OPTIONS

- S6459** Contour 21 grab rail straight 100cm long x 35mm diameter
- S6477** Contour 21 shower handset holder, sliding
- B1364** Category 5 hose retainer for wall fixing which screws to the wall to limit handspray movement, to prevent back siphonage in category 5 installations
- B9304** Armaglide 2 handspray, single function
- BE175** Idealrain Idealflex 1.75m shower hose
- BE125** Idealrain Idealflex 1.25m shower hose
- BE150** Idealrain Idealflex 1.55m shower hose
- B9306** Armaglide 2 shower kit with single function handspray, 900mm rail, 1750mm smooth hose and category 5 hose retainer
- B9308** Armaglide 2 shower set with single function handspray, 1750mm idealflex smooth hose, wall mounted holder and category 5 hose retainer

ILLUSTRATED PRODUCT DETAILS

Weights

A7934 23.00 KG

Finishes

A7934  White (AC)

Materials

A7934 Mixed Material

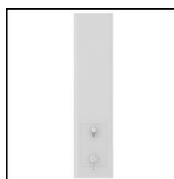
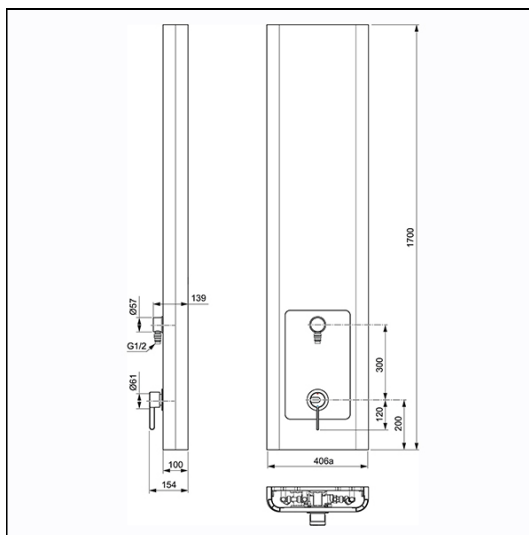
Standards

HBN 00-02, EN 1717 & EN 200

Special Notes

RAL 9003

LRV (Light Reflectance Value) 84.54%



ACCREDITATIONS

