

Calista Basin Pillar Taps

ILLUSTRATED

B1146 Calista basin pillar taps 1/2" (pair)

ILLUSTRATED PRODUCT DETAILS

Weights

B1146 1.03 KG

Finishes

B1146  Chrome (AA)

Materials

B1146 Chrome Plated Brass

Flow rates

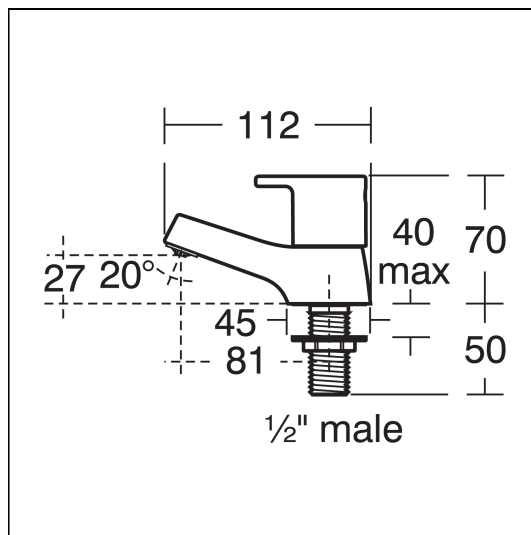
B1146 4 Litres per minute @ 3 bar pressure

Designer

Robin Levien, RDI

Special Notes

Consideration should be given to safe hot water delivery and the use of an appropriate temperature reduction device, please see A5900AA (for use with 15mm pipework) or A5901AA (for use with 22mm pipework). Minimum operating pressure 0.5 Bar.



ACCREDITATIONS



FEATURES

