

# Calista Basin Mixer 1 Hole With Pop-Up Waste

## ILLUSTRATED

**B1148** Calista single lever one hole basin mixer with pop-up waste

### ILLUSTRATED PRODUCT DETAILS

#### Weights

**B1148** 1.40 KG

#### Finishes

**B1148**  Chrome (AA)

#### Materials

**B1148** Chrome Plated Brass

#### Flow rates

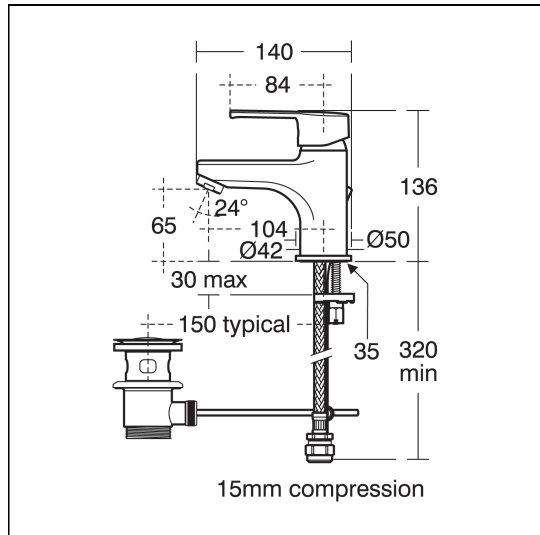
**B1148** 5 Litres per minute @ 3 bar pressure

#### Designer

Robin Levien, RDI

#### Special Notes

Hot water temperature limiter to be set at installation.  
Regulated flow rate 5 litres per minute at 1 bar.



### ACCREDITATIONS

### FEATURES

