

# Calista 2 Hole Dual Control Bath Filler

## ILLUSTRATED

**B1151** Calista dual control two hole bath filler

### ILLUSTRATED PRODUCT DETAILS

**Weights**

**B1151** 1.60 KG

**Materials**

**B1151** Chrome Plated Brass

**Finishes**

**B1151**  Chrome (AA)

**Flow rates**

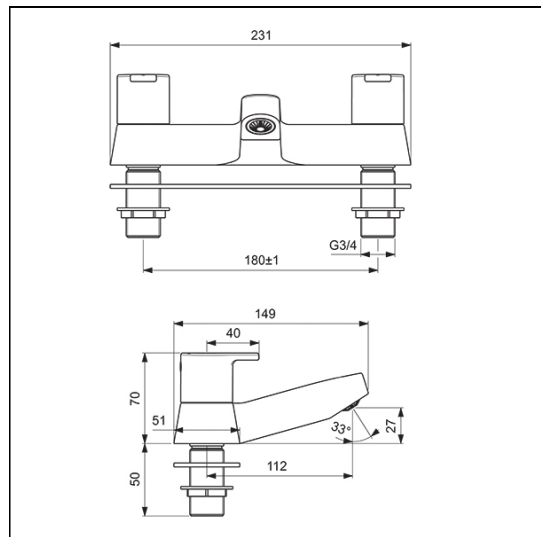
**B1151** 70 Litres per minute @ 3 bar pressure

**Designer**

Robin Levien, RDI

**Special Notes**

Unregulated mixed supply flow rate 18 litres per minute at 0.1 bar. Consideration should be given to safe hot water delivery and the use of an appropriate temperature reduction device, please see A5900AA (for use with 15mm pipework) or A5901AA (for use with 22mm pipework).



### ACCREDITATIONS