

# Sandringham SL 21 Basin mixer with pop up waste

## ILLUSTRATED

**B3306** Sandringham SL 21 basin mixer with pop-up waste and 5 litre per minute eco flow regulator

## OPTIONS

**A5900** TMV thermostatic mixing valve, 15mm

## ILLUSTRATED PRODUCT DETAILS

### Weights

**B3306** 1.45 KG

### Finishes

**B3306**  Chrome (AA)

### Materials

**B3306** Chrome Plated Brass

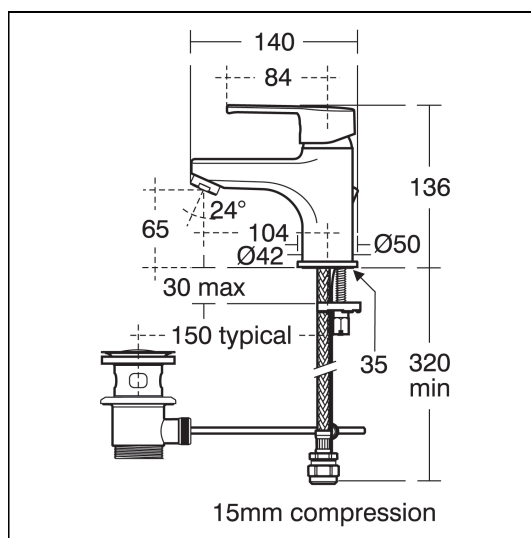
### Flow rates

**B3306** 5 Litres per minute @ 3 bar pressure

### Special Notes

Easy to operate lever handle. Ceramic disc valves.

Factory fitted 5 litre per minute flow regulator. Consideration should be given to safe hot water delivery and the use of an appropriate temperature reduction device, please see A5900AA (for use with 15mm pipework) or A5901AA (for use with 22mm pipework).



## FEATURES

