

Avon 21 Inclined Non-Concussive Pillar Taps Hot & Cold Dual Indices

ILLUSTRATED

B8267 Avon 21 inclined non-concussive washbasin pillar taps (pair) with dual hot and cold indices per tap, self closing push button, water saving anti-vandal spout regulated to 3.7 litres per minute maximum

OPTIONS

S8011 Flow regulator, washbasin inlet, 6 litres per minute, pair

ILLUSTRATED PRODUCT DETAILS

Weights

B8267 2.25 KG

Finishes

B8267  Chrome (AA)

Materials

B8267 Chrome Plated Brass

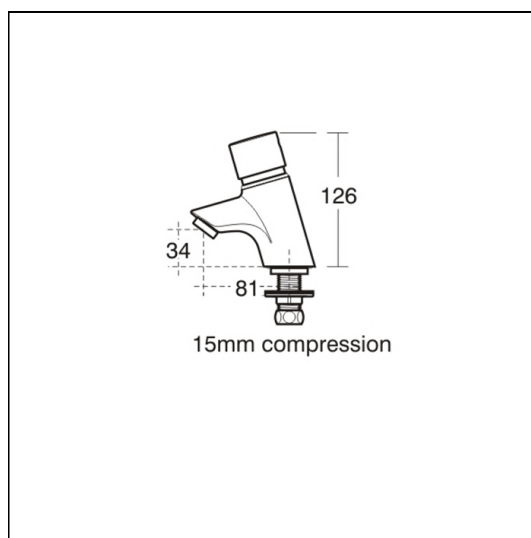
Flow rates

B8267 3.7 Litres per minute @ 3 bar pressure

Special Notes

Inlets screwed 1/2" BSP male. Minimum inlet pressure 1 bar. Flow regulated to 3.7 litres per minute maximum.

Consideration should be given to safe hot water delivery and the use of an appropriate temperature reduction device, please see A5900AA (for use with 15mm pipework) or A5901AA (for use with 22mm pipework). Run time is adjustable from 5-20 seconds.



ACCREDITATIONS

B8267(AA)

Unified Water Label		3.70	Litres Per Minute
-------------------------------	--	------	-------------------

S8011(NU)

Unified Water Label		6.00	Litres Per Minute
-------------------------------	--	------	-------------------

FEATURES

