

Concept Washasin Mixer Tubular Spout 1 Hole

ILLUSTRATED

B9994 Concept washbasin mixer tubular spout, 1 hole

ILLUSTRATED PRODUCT DETAILS

Weights

B9994 2.54 KG

Finishes

B9994  Chrome (AA)

Materials

B9994 Chrome Plated Brass

Flow rates

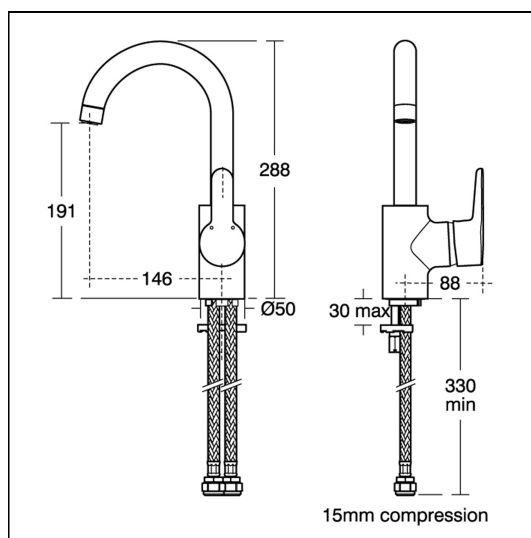
B9994 3.5 Litres per minute @ 3 bar pressure

Designer

Robin Levien, RDI

Special Notes

Suitable for balanced supplies. Inlets with flexible hoses and connections for 15mm copper tails. Fitted with a 5 lpm outlet flow regulator. When installed in commercial applications, A5900AA a 15mm thermostatic blending valve must be used. Flow rate with fitted regulator 5 litres per minute. Unregulated flow rate 5 litres per minute at 0.3 bar.



ACCREDITATIONS

B9994(AA)

