

Ceraline Basin Mixer With Clicker Waste

ILLUSTRATED

BC186 Ceraline single lever basin mixer with clicker waste

OPTIONS

A5900 TMV thermostatic mixing valve, 15mm

ILLUSTRATED PRODUCT DETAILS

Weights

BC186 1.39 KG

Finishes

BC186  Chrome (AA)

Materials

BC186 Chrome Plated Brass

Flow rates

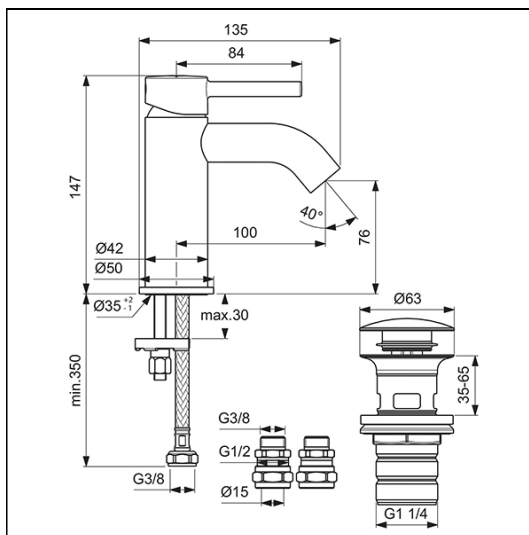
BC186 3.8 Litres per minute @ 3 bar pressure

Special Notes

Suitable for balanced supplies. Inlets with flexible hoses and connections for 15mm copper tails.

Consideration should be given to safe hot water delivery and the use of an appropriate temperature reduction device, please see A5900AA (for use with 15mm pipework) or A5901AA (for use with 22mm pipework).

Fitted with a 3.8 litre per minute outlet flow regulator.



ACCREDITATIONS