

Ceraline 2 Tap Hole Bath Filler

ILLUSTRATED

BC188 Ceraline dual control two tap hole bath filler

ILLUSTRATED PRODUCT DETAILS

Weights

BC188 1.71 KG

Finishes

BC188  Chrome (AA)

Materials

BC188 Chrome Plated Brass

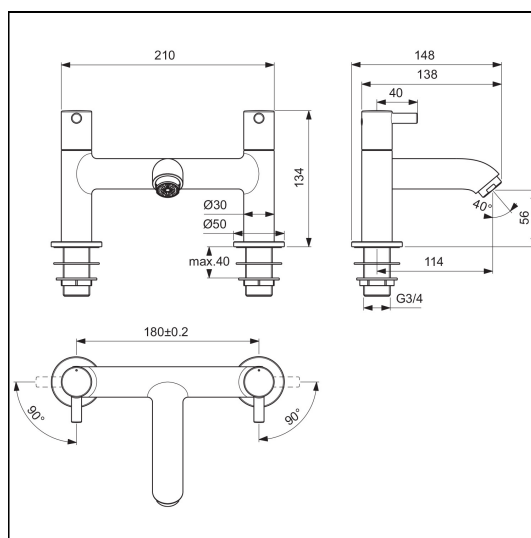
FINISH OPTIONS

 (AA) Chrome

 (XG) Silk Black

Special Notes

Suitable for balanced/unbalanced supplies. Inlets 3/4" BSP male coned for copper. Supplied with brass back nuts. Consideration should be given to safe hot water delivery and the use of an appropriate temperature reduction device, please see A5900AA (for use with 15mm pipework) or A5901AA (for use with 22mm pipework). Unregulated flow rate 21 litres per minute at 0.2 bar and 47 litres per minute at 1 bar.



ACCREDITATIONS