

Cerafine D Dual Control Bath Filler

ILLUSTRATED

BC694 Cerafine D dual control bath filler

ILLUSTRATED PRODUCT DETAILS

Weights

BC694 2.31 KG

Finishes

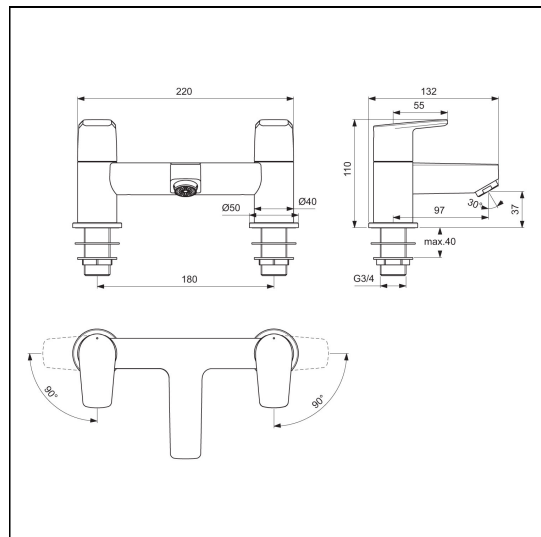
BC694  Chrome (AA)

Materials

BC694 Chrome Plated Brass

Special Notes

Unregulated flow rate 15 litres per minute at 0.2 bar.
 Consideration should be given to safe hot water delivery and the use of an appropriate temperature reduction device, please see A5900AA (for use with 15mm pipework) or A5901AA (for use with 22mm pipework).



ACCREDITATIONS

