

# Cerafine D Dual Control Bath Filler

## ILLUSTRATED

**BC694** Cerafine D dual control bath filler

### ILLUSTRATED PRODUCT DETAILS

**Weights**

**BC694** 2.31 KG

**Finishes**

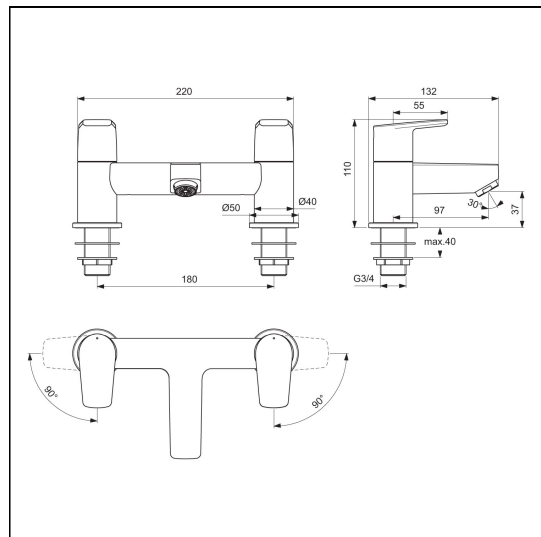
**BC694**  Chrome (AA)

**Materials**

**BC694** Chrome Plated Brass

**Special Notes**

Unregulated flow rate 15 litres per minute at 0.2 bar.  
 Consideration should be given to safe hot water delivery and the use of an appropriate temperature reduction device, please see A5900AA (for use with 15mm pipework) or A5901AA (for use with 22mm pipework).



### ACCREDITATIONS

