

Cerafine O Dual Control Bath Filler

ILLUSTRATED

BC707 Cerafine O dual control bath filler

ILLUSTRATED PRODUCT DETAILS

Weights

BC707 2.24 KG

Finishes

BC707  Chrome (AA)

Materials

BC707 Chrome Plated Brass

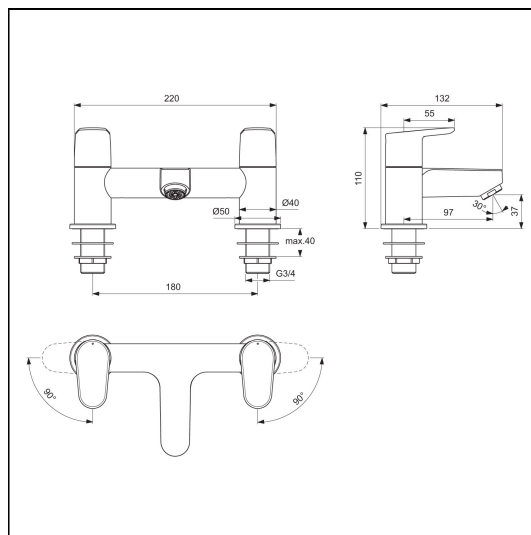
FINISH OPTIONS

 (AA) Chrome

 (XG) Silk Black

Special Notes

Unregulated flow rate 15 litres per minute at 0.2 bar.
 Consideration should be given to safe hot water delivery and the use of an appropriate temperature reduction device, please see A5900AA (for use with 15mm pipework) or A5901AA (for use with 22mm pipework).



ACCREDITATIONS



2107054