

# Cerafine D Single Lever Mini Basin Mixer

## ILLUSTRATED


**BC719** Cerafine D single lever mini basin mixer with pop-up waste

### ILLUSTRATED PRODUCT DETAILS

#### Weights

**BC719** 1.29 KG

#### Finishes

**BC719**  Chrome finish (AA)

#### Materials

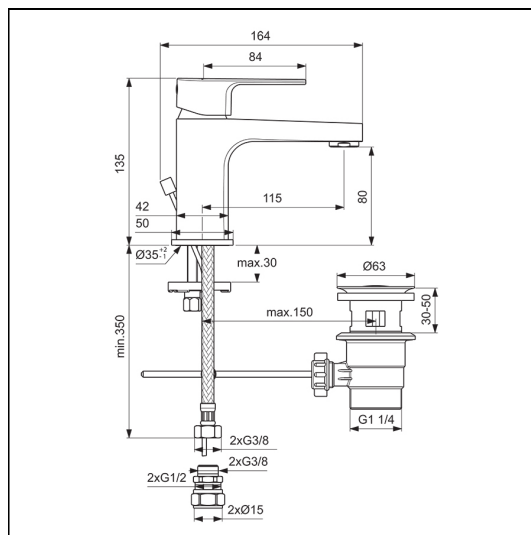
**BC719** Chrome Plated Brass

#### Flow rates

**BC719** 5 Litres per minute @ 3 bar pressure

#### Special Notes

For high pressure above 1 Bar. Suitable for balanced supplies. Inlets with flexible hoses and connections for 15mm copper tails. Consideration should be given to safe hot water delivery and the use of an appropriate temperature reduction device, please see A5900AA (for use with 15mm pipework) or A5901AA (for use with 22mm pipework). Fitted with a 5 litre per minute outlet flow regulator.



### FEATURES

