

Concept Close Coupled Back To Wall Toilet Bowl

ILLUSTRATED

- E0397** Concept close coupled back-to-wall toilet bowl with horizontal outlet and Aquablade flush technology
- E7969** Concept Cube close coupled delay fill 4/2.6 litre cistern, dual flush push button valve, bottom supply and internal overflow
- E7726** Concept toilet seat and cover, slim with quick release, slow close

OPTIONS

- E7859** Concept Cube close coupled 6/4 litre cistern, dual flush push button valve, bottom supply and internal overflow
- E7917** Concept toilet seat and cover, slow close
- E7918** Concept toilet seat and cover
- S4300** Panekta outlet connector to convert horizontal outlet wcs to S or turned P trap
- S4305** Panekta outlet connector to convert horizontal outlet wcs to P trap

ILLUSTRATED PRODUCT DETAILS

Weights

- E0397** 31.00 KG
- E7969** 11.90 KG
- E7726** 2.10 KG

Materials

- E0397** Vitreous China
- E7969** Vitreous China
- E7726** Plastic

Finishes

- E0397** White (01)
- E7969** White (01)
- E7726** White (01)

Capacity

- E7969** 4.0 litres

Designer

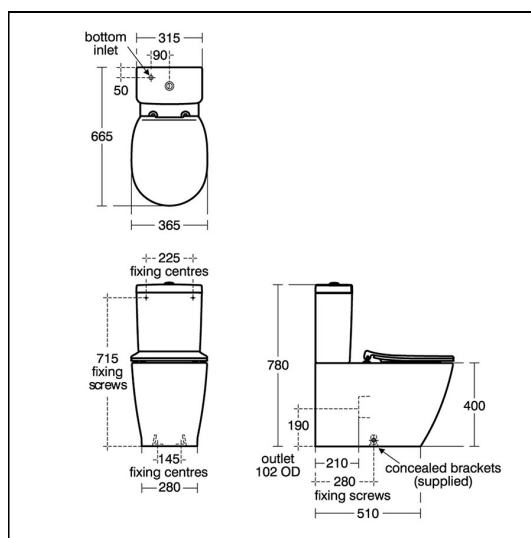
Robin Levien, RDI

Standards

WC bowl to BS EN 997 & BS EN 33

Special Notes

WC screwed to floor using concealed brackets (supplied) and cistern screwed to wall



ACCREDITATIONS

E7969(01)

Unified Water Label		3.0	Average Flushing Volume (Litres)

E7859(01)

Unified Water Label		4.5	Average Flushing Volume (Litres)