

Studio Echo Short Projection Close Coupled Back-to-Wall toilet with isolation access

ILLUSTRATED

- E1507** Studio Echo short projection close coupled back-to-wall toilet bowl with horizontal outlet and isolation access
- E1506** Studio Echo close coupled delay fill 4/2.6 litre cistern, dual flush valve, bottom supply and internal overflow
- T3183** Studio Echo toilet seat and cover with quick release for short projection bowl, slow close

OPTIONS

- E1505** Studio Echo close coupled 6/4 litre cistern, dual flush valve, bottom supply and internal overflow
- T3186** Studio Echo toilet seat and cover for short projection bowl
- S4300** Panekta outlet connector to convert horizontal outlet wcs to S or turned P trap
- S4305** Panekta outlet connector to convert horizontal outlet wcs to P trap



ILLUSTRATED PRODUCT DETAILS




Weights

- E1507** 30.70 KG
- E1506** 10.56 KG
- T3183** 2.40 KG

Materials

- E1507** Vitreous China
- E1506** Vitreous China
- T3183** Plastic

Finishes

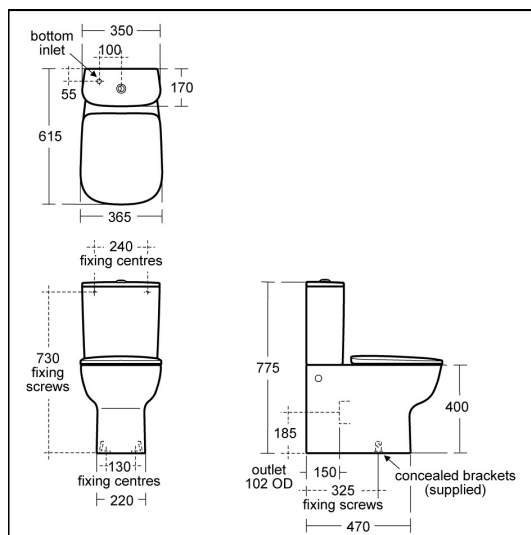
- E1507**  White (01)
- E1506**  White (01)
- T3183**  White (01)

Capacity

- E1506** 4.0 litres

Designer

Robin Levien, RDI



Standards

WC bowl to BS EN 997 & BS EN 33

Special Notes

WC screwed to floor using concealed brackets (supplied) and cistern screwed to wall.

FEATURES

