

Finesse 60cm Wall Mounted Vanity Unit

ILLUSTRATED

- E3376** Finesse 60cm x 38cm wall mounted vanity unit with 1 drawer
- T4590** i.life S 60cm compact vanity washbasin, 1 taphole
- E0157** Wall fixing set
- EE230339** Space saving trap and waste pipe assembly for use with furniture basin units
- BD246** Ceraplan single lever basin mixer, with click waste

ILLUSTRATED PRODUCT DETAILS

Sizes

T4590 w:610 x d:385

Weights

E3376 15.97 KG

T4590 13.80 KG

E0157 0.16 KG

EE23033 0.10 KG

9

BD246 1.77 KG

Materials

E3376 Mixed Material

T4590 Fine Fireclay

E0157 Metal

EE23033 Plastic


9


BD246 Chrome Plated Brass

Finishes

E3376  Matt White (Y1)

T4590  White (01)

E0157  Neutral / No Finish (67)

EE23033  Neutral / No Finish (67)

BD246  Chrome (AA)

Capacity

T4590 4.9 litres

Flow rates

BD246 5 Litres per minute @ 3 bar pressure

FINISH OPTIONS



(Y1) Matt White



(Y2) Matt Anthracite



(UP) Matt Grieger



(UQ) Matt Ash Blue



(UR) Dark Elm



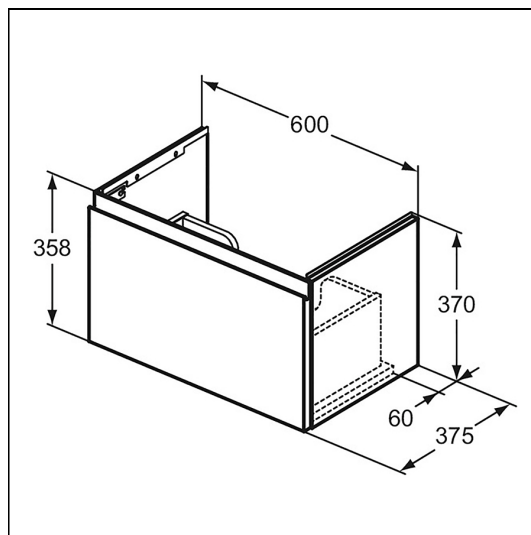
(US) White Oak

Standards

EN 14749:2005

Special Notes

Furniture units should be installed in a bathroom with adequate ventilation. Mounting kit included. Always use appropriate fixings to suit the type of wall.



Finesse 60cm Wall Mounted Vanity Unit



ACCREDITATIONS



FEATURES

