

Finesse 80cm Wall Mounted Vanity Unit

ILLUSTRATED

- E3380** Finesse 80cm x 38cm wall mounted vanity unit with 2 drawers
- T4589** i.life S 80cm compact vanity washbasin, 1 taphole
- E0157** Wall fixing set
- EE230339** Space saving trap and waste pipe assembly for use with furniture basin units
- BD246** Ceraplan single lever basin mixer, with click waste

ILLUSTRATED PRODUCT DETAILS

Sizes

T4589 w:810 x d:385

Weights

E3380 26.94 KG

T4589 17.70 KG

E0157 0.16 KG

EE23033 0.10 KG

9

BD246 1.77 KG

Materials

E3380 Mixed Material

T4589 Vitreous China

E0157 Metal

EE23033 Plastic


9


BD246 Chrome Plated Brass

Finishes

E3380  Matt White (Y1)

T4589  White (01)

E0157  Neutral/No Finish (67)

EE23033  Neutral/No Finish (67)

BD246  Chrome (AA)

Capacity

T4589 7.2 litres

Flow rates

BD246 3.8 Litres per minute @ 3 bar pressure

FINISH OPTIONS



(Y1) Matt White



(Y2) Matt Anthracite



(UP) Matt Grieger



(UQ) Matt Ash Blue



(UR) Dark Elm



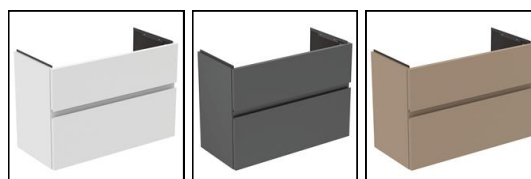
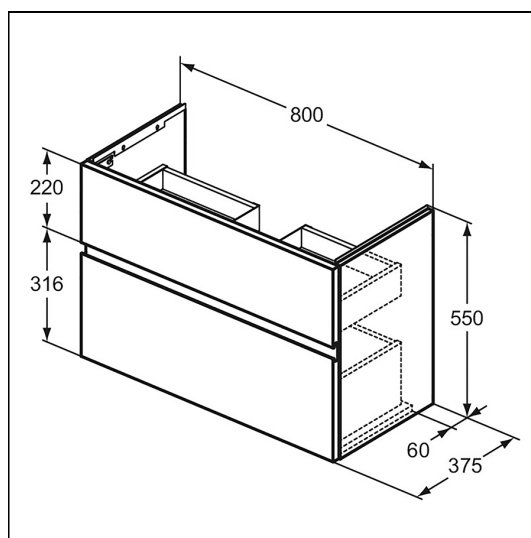
(US) White Oak

Standards

EN 14749:2005

Special Notes

Furniture units should be installed in a bathroom with adequate ventilation. Mounting kit included. Always use appropriate fixings to suit the type of wall.



ACCREDITATIONS

