

# Finesse 140cm Wall Mounted Washbasin Unit

## ILLUSTRATED

- E3432** Finesse 140cm x 50cm wall mounted washbasin unit with 2 drawers, no cutout
- EE230339** Space saving trap and waste pipe assembly for use with furniture basin units

## ILLUSTRATED PRODUCT DETAILS

### Weights

**E3432** 56.94 KG

**EE23033** 0.10 KG

9

### Materials

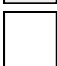
**E3432** Mixed Material

**EE23033** Plastic

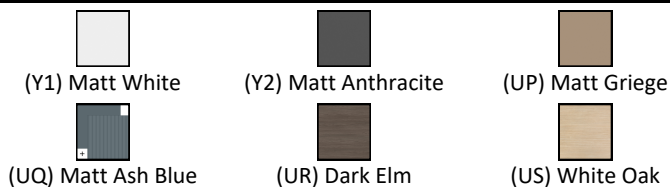
9

### Finishes

**E3432**  Matt White (Y1)

**EE23033**  Neutral/No Finish (67)

## FINISH OPTIONS

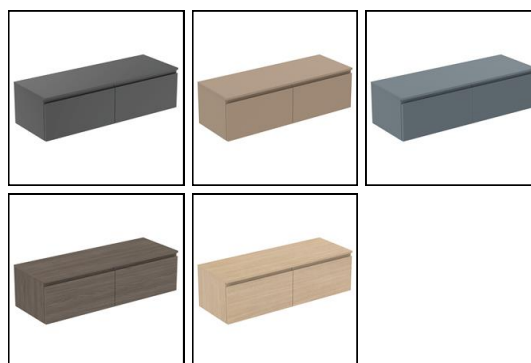
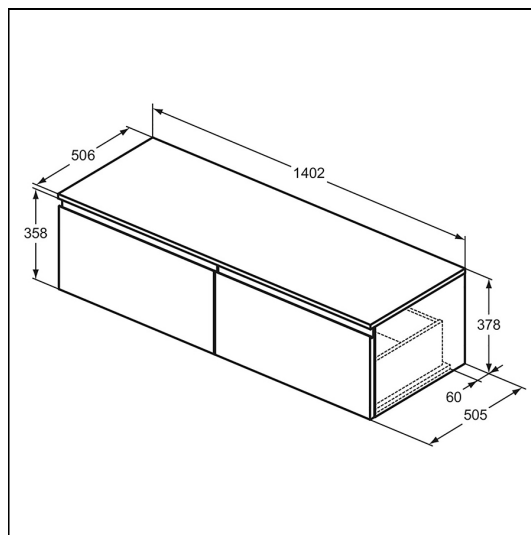
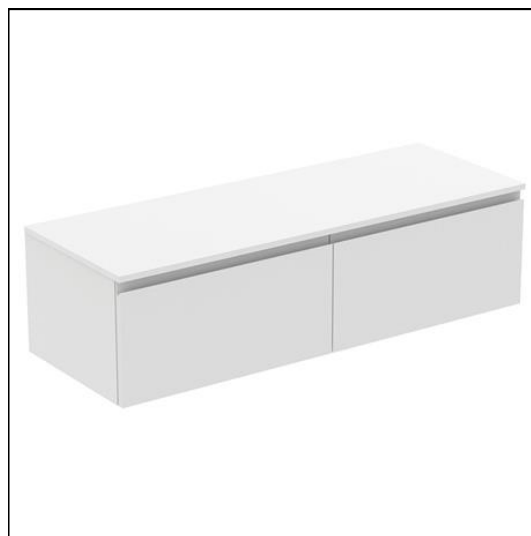


### Standards

EN 14749:2005

### Special Notes

Furniture units should be installed in a bathroom with adequate ventilation. Mounting kit included. Always use appropriate fixings to suit the type of wall.



## ACCREDITATIONS

