

# Concept Freedom Wall Hung Raised Height Toilet

## ILLUSTRATED

- E6090** Concept Freedom wall hung raised height Toilet Bowl
- S3643** Conceala 2 4.5/3 or 4/2.6 litre cistern, dual flush valve, side supply, internal overflow, alternative height plastic flushbends, no flushplate/button
- E7917** Concept toilet seat and cover, slow close
- E0060** Support frame with bolts for wall mounted toilet bowls

## OPTIONS

- E2125** Conceala 2 concealed cistern universal height, side inlet cistern - pneumatic dual flush valve - no flushplate - 6/4 litre flush
- E7918** Concept toilet seat and cover
- K7060** Concept toilet seat only
- E7726** Concept toilet seat and cover, slim with quick release, slow close
- S4399** Contemporary flush plate dual flush for Conceala 2 cisterns
- S1084** Crescent finger push button, pneumatic dual flush
- S4305** Panekta outlet connector to convert horizontal outlet wcs to P trap

## ILLUSTRATED PRODUCT DETAILS

### Weights

- E6090** 34.30 KG
- S3643** 2.70 KG
- E7917** 2.30 KG
- E0060** 4.28 KG

### Materials

- E6090** Vitreous China
- S3643** Plastic
- E7917** Plastic
- E0060** Metal

### Finishes

- E6090**  White (01)
- S3643**  Neutral / No Finish (67)
- E7917**  White (01)
- E0060**  Neutral / No Finish (67)

### Capacity

- S3643** 4.0 litres

### Designer

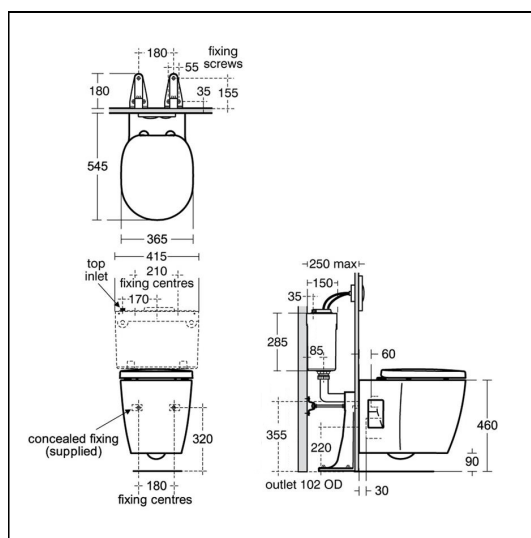
Robin Levien, RDI

### Standards

WC bowl to BS EN 997 & BS EN 33

### Special Notes

Fix the E0060 support brackets to floor within the duct and secure the WC with bolts (supplied). Screw the bolts to the back wall. The WC bowl should not be installed with a lever activated cistern fitted with a syphon.



## FEATURES

