

# Sandringham 21 Semi-Countertop Washbasin, 50cm 1 Taphole

## ILLUSTRATED

- E8958** Sandringham 21 50cm semi-countertop washbasin, 1 taphole with overflow no chainstay hole
- B3307** Sandringham SL 21 basin mixer, no waste with 5 litre per minute eco flow regulator
- S8920** Trap 1¼" plastic resealing bottle, 75mm seal, multi-purpose outlet

## OPTIONS

- E0157** Wall fixing set
- S8733** Waste 1¼" brass anti theft swivel plug waste, 80mm slotted tail
- S8722** Waste 1¼" brass strainer waste, 80mm slotted tail
- S8737** Waste 1¼" brass anti theft waste with captive plug, no chain, 80mm slotted tail
- S8910** Trap 1¼" plastic bottle, 75mm seal, multi-purpose outlet



## ILLUSTRATED PRODUCT DETAILS

### Sizes

**E8958** w:500 x d:440

### Weights

**E8958** 13.39 KG

**B3307** 1.13 KG

**S8920** 2.00 KG

### Materials

**E8958** Vitreous China


**B3307** Chrome Plated Brass

**S8920** Plastic

### Finishes

**E8958**  White (01)

**B3307**  Chrome (AA)

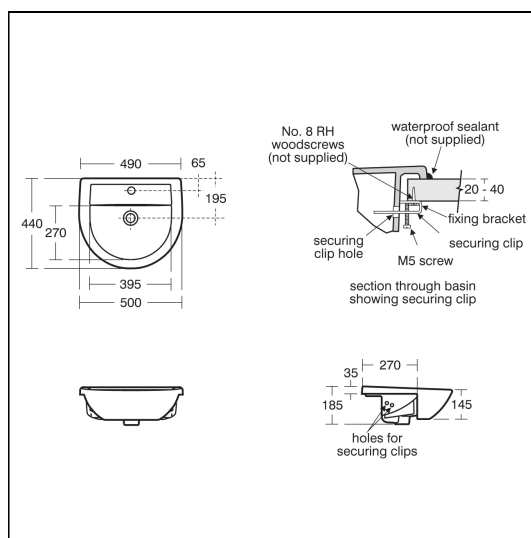
**S8920**  Neutral / No Finish (67)

### Capacity

**E8958** 3.7 litres

### Flow rates

**B3307** 5 Litres per minute @ 3 bar pressure



### Special Notes

Washbasin fixed to countertop with securing clips provided. Joint sealed with waterproof sealant (not supplied).