

Altes NT1 Electronic (proximity) Ceramic Dual Flushplate

ILLUSTRATED

- R0130** Altes NT1 electronic (proximity) ceramic dual flushplate Ideal Standard - black
- R0158** ProSys electronic conversion kit for proximity actuated flushplates (Altes & Symfo) (120 depth frames and cisterns only)

OPTIONS

- R0153** ProSys 1150mm height, mechanical wall hung WC frame, 120 depth, front actuation
- R0317** ProSys 120 depth WC cistern, mechanical, front actuation

ILLUSTRATED PRODUCT DETAILS



Weights

- R0130** 5.79 KG
- R0158** 0.08 KG

Materials

- R0130** Ceramic
- R0158** Mixed Material

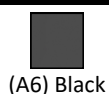
Finishes

- R0130**  White (AC)
- R0158**  Neutral / No Finish (67)

Designer

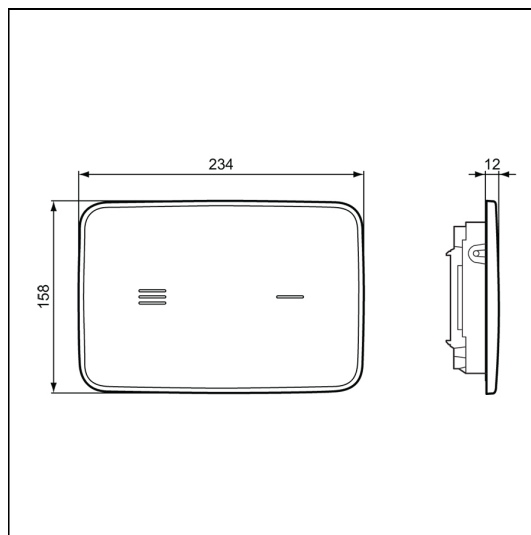
Palomba Serafini Associati

FINISH OPTIONS



Special Notes

For use with ProSys 120 Depth mechanical actuation WC frames and cisterns. Also needs an proximity electronic conversion kit, R015867).



FEATURES

