

ProSys 150 depth WC cistern, pneumatic

ILLUSTRATED

- R0316** ProSys 150 depth WC cistern, pneumatic front or top actuation
- R0116** Oleas P1 pneumatic dual flushplate Ideal Standard - chrome

OPTIONS

- R0119** Oleas P2 pneumatic dual flushplate Ideal Standard - white
- S0857** Oleas P2 pneumatic dual flushplate Armitage Shanks - chrome
- R0124** Oleas P3 pneumatic dual flushplate Ideal Standard - white
- R0110** Solea P2 pneumatic dual flushplate
- S0775** Septa Pro P1 pneumatic metal dual flushplate Armitage Shanks
- S0860** Septa Pro P2 pneumatic metal dual small flushplate Armitage Shanks
- R0136** Septa Pro P4 pneumatic dual small flushplate with raised adjustable buttons
- P0109** Septa Pro XS pneumatic push button no logo - chrome

ILLUSTRATED PRODUCT DETAILS

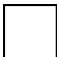

Weights

- R0316** 2.96 KG
- R0116** 0.38 KG

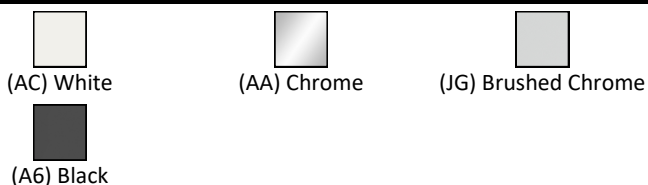
Materials

- R0316** Mixed Material
- R0116** Mixed Material

Finishes

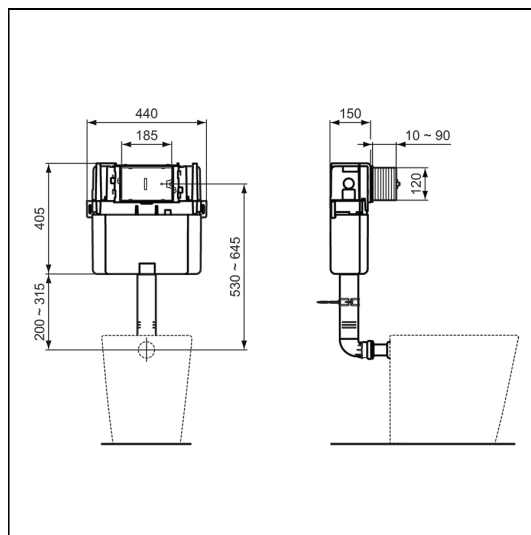
- R0316**  Neutral / No Finish (67)
- R0116**  White (AC)

FINISH OPTIONS



Special Notes

Suitable for use with Back-to wall WC bowls – Please check DOP for flushing capability with specific bowls. For use with Oleas and Septa Pro pneumatic flushplates. Not suitable for electronic actuation flushplates. Front or top actuation. Where top actuation is required with Oleas flushplates please use R017667 front to top conversion kit. Minimum height to top of cistern 860mm depending on bowl type.



ACCREDITATIONS

FEATURES

