

Care Plus Folding Shower Seat, Fixed Height

ILLUSTRATED

S0643 Care Plus folding shower seat, fixed height

ILLUSTRATED PRODUCT DETAILS

Weights

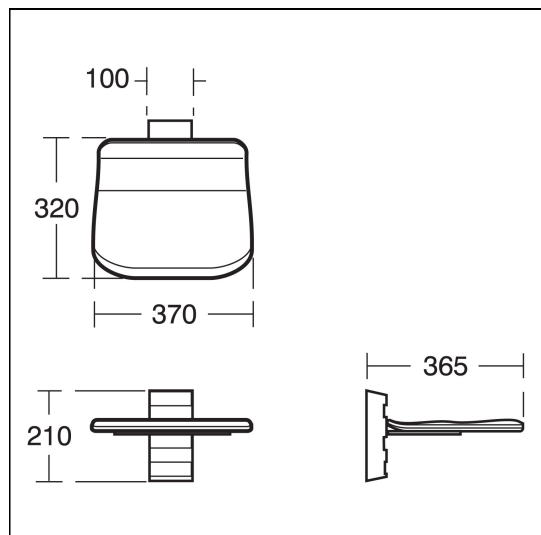
S0643 4.80 KG

Finishes

S0643  Blue (36)

Materials

S0643 Mixed Material



FEATURES

