

# Care Plus Salonex Gas Cell Washbasin Bracket, Vertical and Horizontal Adjustment

## ILLUSTRATED

- S0646** Care Plus Salonex washbasin mounting bracket, gas cell counter balanced with lever lock, vertical and horizontal adjustment
- S0656** Care Plus track 60cm length
- S2300** Salonex 64cm washbasin with 2 tapholes
- S7450** Starlite 1 hole hairdressers washbasin mixer with metal handles, flexible 1.5m hose, handspray and metal sleeve. (inlets plain 10mm copper pipe)
- S8730** Waste 1¼" brass strainer waste with lift out grid
- S0650** Care Plus flexible 120cm feed and 150cm waste system for sideways adjustment

## ILLUSTRATED PRODUCT DETAILS

### Sizes

**S2300** w:640 x d:510

### Weights

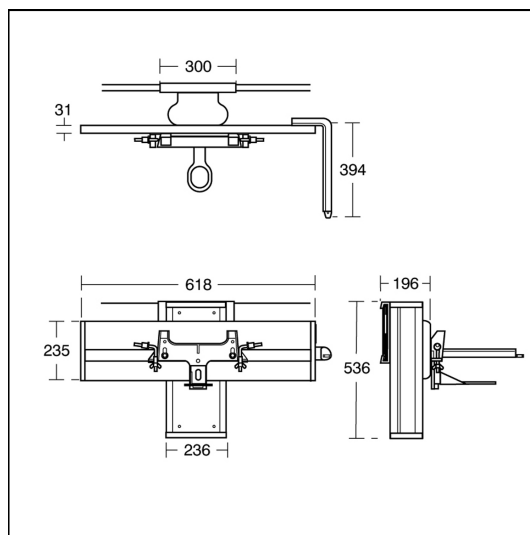
- S0646** 23.82 KG
- S0656** 2.10 KG
- S2300** 14.34 KG
- S7450** 1.82 KG
- S8730** 2.77 KG
- S0650** 1.70 KG

### Materials

- S0646** Mixed Material
- S0656** Aluminium
- S2300** Vitreous China
- S7450** Chrome Plated Brass
- S8730** Chrome Plated Metal
- S0650** Mixed Material

### Finishes

- S0646**  Neutral / No Finish (67)
- S0656**  Neutral / No Finish (67)
- S2300**  White (01)
- S7450**  Chrome (AA)
- S8730**  Chrome (AA)
- S0650**  Neutral / No Finish (67)



## FEATURES

