

# Care Plus Electric Washbasin Bracket, Vertical Adjustment

## ILLUSTRATED

- S0651** Care Plus washbasin mounting bracket, electrically operated by lever, vertical adjustment
- E5499** Concept Freedom 60cm accessible washbasin, one taphole
- S0649** Care Plus flexible 70cm feed and 70cm waste system for vertical adjustment only
- A6698** Contour 21+ 1 hole thermostatic basin mixer, single sequential lever with flexible tails

## ILLUSTRATED PRODUCT DETAILS

### Sizes

**E5499** w:600 x d:555

### Weights

**S0651** 23.82 KG

**E5499** 14.00 KG

**S0649** 1.60 KG

**A6698** 2.10 KG

### Materials


**S0651** Mixed Material

**E5499** Vitreous China


**S0649** Mixed Material

**A6698** Chrome Plated Brass

### Finishes

**S0651**  Neutral / No Finish (67)

**E5499**  White (01)

**S0649**  Neutral / No Finish (67)

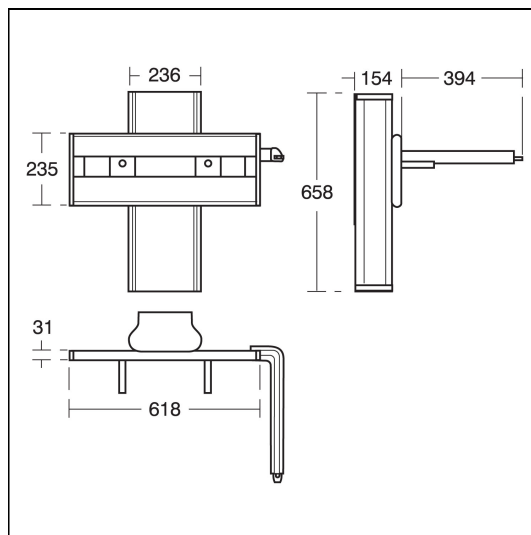
**A6698**  Chrome (AA)

### Capacity

**E5499** 4.4 litres

### Flow rates

**A6698** 3.9 Litres per minute @ 3 bar pressure



## FEATURES

