

Janitorial Sink Stainless Steel Unit, with mixer

ILLUSTRATED

- S0711** (JU) Janitorial unit stainless steel 50cm wide x 57cm projection x 90cm high complete with mixer tap with restricted swivel, tamper proof concealing panel for washbasin trap, hinged bucket grating to sink, stainless steel legs with adjustable feet and earthing tag.
- S8920** (TRR1/P) Trap 1¼" plastic resealing bottle, 75mm seal, multi-purpose outlet
- S8925** (TRR2/P) Trap 1½" plastic resealing bottle with 75mm seal, multi-purpose outlet

OPTIONS

- A5900** TMV thermostatic mixing valve, 15mm

ILLUSTRATED PRODUCT DETAILS




Weights

- S0711** 15.00 KG
- S8920** 2.00 KG
- S8925** 0.33 KG

Materials

- S0711** Stainless Steel
- S8920** Plastic
- S8925** Plastic

Finishes

- S0711**  Stainless Steel finish (MY)
- S8920**  Neutral / No Finish (67)
- S8925**  Neutral / No Finish (67)

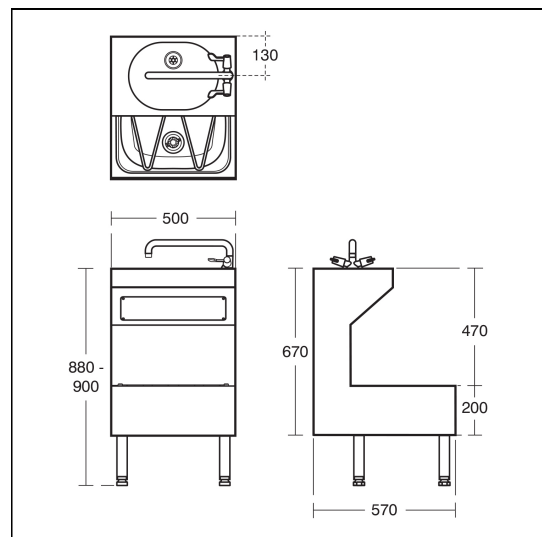
Standards

Functional Standard: DDA & BS8300 Stainless Steel conforms to BS EN 100088:part 2:2005

Special Notes

Monoblock mixer is provided with restricted swivel nozzle for use with either handrinse basin or cleaners sink below. On the handrinse bowl, consideration should be given to safe hot water delivery and the use of an appropriate temperature reduction device see A5900AA.

For disposal of liquid waste by domestic staff. Small levers to meet DDA. Unit is supported on four stainless steel legs with adjustable feet. Holes are provided in back flange to secure to wall.



FEATURES

