

Sphero Maxi 62cm back inlet

ILLUSTRATED

- S0740** Sphero Maxi 62cm back inlet, closed shroud
- S8915** Trap 1½" plastic bottle with 75mm seal, multi-purpose outlet
- E2025** Sphero waste cap

OPTIONS

- R0163** ProSys urinal frame for use with Sensorflow (specific urinals only)
- S1156** Conceala 9 Litre auto cistern with cover, auto syphon and petcock
- S1157** Conceala auto cistern 13.6 litre with cover auto syphon and petcock
- S1155** Conceala 4.5 litre auto cistern with cover, auto syphon and petcock
- A7001** Sensorflow 21 urinal flush, high pressure valve, panel mounted, mains
- A7002** Sensorflow 21 urinal flush, high pressure valve, panel mounted, link
- A4856** Sensorflow 21 urinal flush, surface mounted, mains
- S9276** Toggle bolts to suit maximum 25mm panel thickness

ILLUSTRATED PRODUCT DETAILS

Weights

- S0740** 21.04 KG
- S8915** 0.24 KG
- E2025** 0.02 KG

Materials

- S0740** Vitreous China
- S8915** Plastic
- E2025** Plastic

Finishes

- S0740** White (01)
- S8915** Neutral / No Finish (67)
- E2025** Neutral / No Finish (67)

Designer

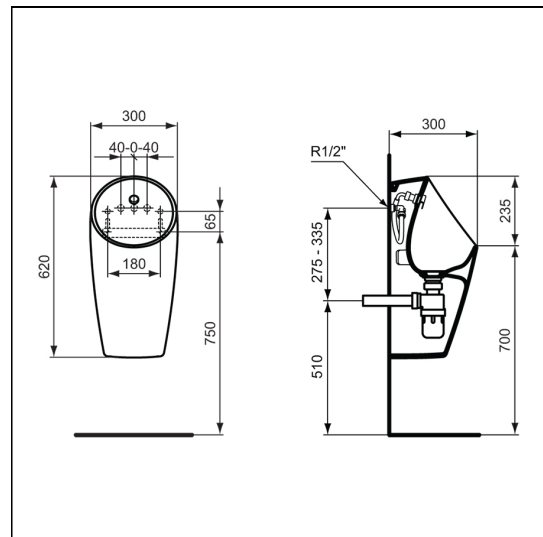
Robin Levien, RDI

Standards

BS EN 13407

Special Notes

When installing the urinal with Sensorflow electronics and mains water with a DC interrupter, please refer to the installation instructions in relation to the pipework size required, which must be adhered to. This urinal is supplied with a flexible connecting sparge pipe. If installed with an Auto Cistern, to prevent air locking and cistern overflow condition, an open to air vent must be installed on the down pipe from the cistern, as shown in the supporting drawing. See options for the Sensorflow flushing device options. The waste can be accessed from the top with an easy to use service key. Brackets, spreader and cap, waste pack with service key and back inlet connection pack all included. (bottle trap to be purchased separately).



FEATURES

