

Septa Pro E1 Electronic (infrared) & manual metal dual flushplate

ILLUSTRATED

- S0772** Septa Pro E1 electronic (infrared) & manual metal dual flushplate Armitage Shanks
- R0099** ProSys electronic conversion kit for infra-red actuated flushplates (Septa Pro E1 & E2) (120 depth frames and cisterns only)

OPTIONS

- R0153** ProSys 1150mm height, mechanical wall hung WC frame, 120 depth, front actuation
- R0317** ProSys 120 depth WC cistern, mechanical, front actuation

ILLUSTRATED PRODUCT DETAILS

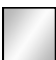

Weights

- S0772** 0.90 KG
- R0099** 0.19 KG

Materials

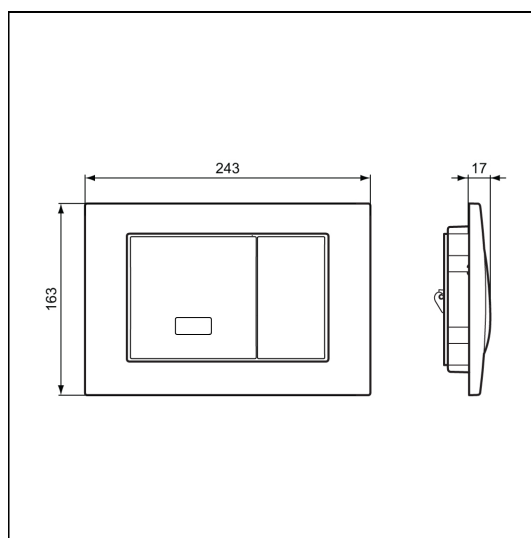
- S0772** Metal
- R0099** Mixed Material

Finishes

- S0772**  Chrome (AA)
- R0099**  Neutral / No Finish (67)

Special Notes

For use with ProSys 120 Depth mechanical actuation WC frames and cisterns. Also needs an infrared electronic conversion kit, R009967).



FEATURES

