

# Septa Pro P1 Pneumatic Metal Dual Flushplate

## ILLUSTRATED

**S0775** Septa Pro P1 pneumatic metal dual flushplate Armitage Shanks

## OPTIONS

- R0312** ProSys 820mm height, pneumatic wall hung wc frame 150 depth, front or top actuation
- R0313** ProSys 1150mm height, pneumatic wall hung WC frame, 120 depth, front actuation
- R0315** ProSys 1150mm height, 3 adjustable heights, pneumatic wall hung WC frame, 120 depth, front actuation
- R0316** ProSys 150 depth WC cistern, pneumatic front or top actuation
- R0318** ProSys 120 depth WC cistern, pneumatic, front actuation
- R0137** Septa Pro inspection plate white

## ILLUSTRATED PRODUCT DETAILS

### Weights

**S0775** 0.56 KG

### Finishes

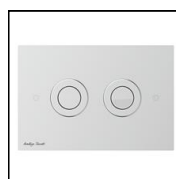
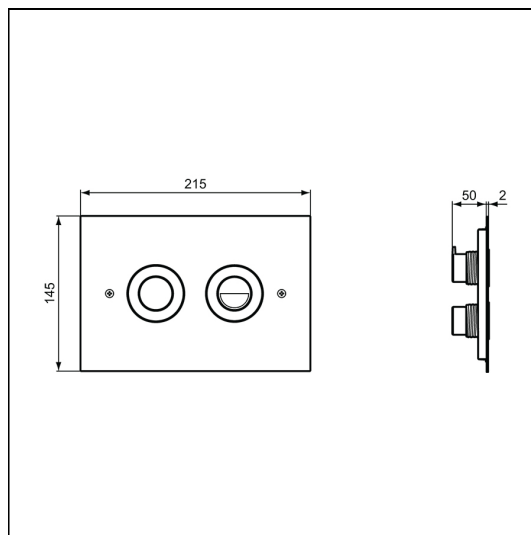
**S0775**  Stainless Steel (MY)

### Materials

**S0775** Stainless Steel

### Special Notes

For use with ProSys pneumatic actuation WC frames and cisterns.



## FEATURES

